

frost-trol

SOLID LINES



take away

take away
take away



PLUG-IN

WALEN

Island



WALEN ND

PIOP|00|83|19|CN|ND|017



PLUG-IN

Highlights

Cabinet designed to operate with natural refrigerant R290 in compliance with F-Gas regulations.

Plug-in perimeter island designed for the display and sale of refrigerated products.

Possibility of incorporating sliding doors in the cabinet design.

Use of transparent elements around the perimeter of the cabinet allowing maximum visibility of the products.

Expansion of the line with the development of different modulations to adapt to customer requirements.

Standard equipment

R290 evaporator

Pre-lacquered tank

Condensate evaporation tray

Electronic control

Mechanical fans

Natural defrost

Cold switch

Plastic packaging

Protective grill on fans



WALEN SD

PIOP|00|83|19|CS|D0|18

Aspectos destacados

Mueble diseñado para operar con el refrigerante natural R290 cumpliendo con la normativa F-Gas

Isla perimetral autónoma diseñada para la exposición y venta de productos refrigerados

Posibilidad de incorporar puertas correderas en el diseño del mueble

Utilización de elementos transparentes en todo el perímetro del mueble que permiten la máxima visibilidad de los productos.

Ampliación de la línea con el desarrollo de diferentes modulaciones para adaptarse a los requerimientos de los clientes.



PLUG-IN



SD SLIDING DOORS

Opciones y Accesorios

- Gable ends:
 - Panoramic
 - Supermirror
 - Intermediate V2 (panoramic / both sides mirror)
- Tank kit in stainless steel Aisi-304 or Aisi-316
 - Tank
 - Plate and fan cover kit/evaporator cover/ brake
- Integrated LED decorative lighting:
 - Front
 - Back
- Stainless steel bumper (front and back)
- EC fans
- Epoxy/Stainless steel Aisi-304/Stainless steel Aisi-316 options:
 - Fairing
 - Tray
 - Suction grille
- Total Tactile Control
- Epoxy and stainless steel (Aisi-304 or Aisi-316):
 - Supplement tray two levels
 - Supplement tray three levels
- Methacrylate dividers
- Treated wood packaging
- Treated wood packaging Plus



HIGH VISIBILITY

RAL 9001

RAL 9010

RAL 7305

RAL 9006

RAL 1018

RAL 1023

RAL 5000

RAL 5012

RAL 6018

RAL 6027

RAL 3027

RAL 3002

RAL 9005

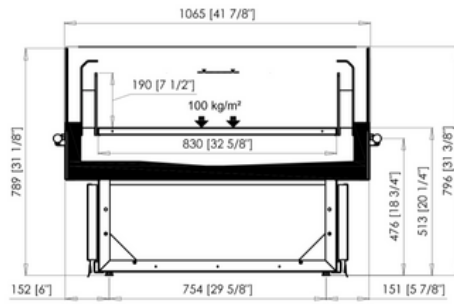
RAL 9011

WALEN

PIOP008319CND017

Available modulations

1250 | 1875 | 2500



take away
take away
take away

frost-trol



www.frost-trol.com



FROST-TROL, S.A
PLANTA 1
CV 159 KM 2 CP. 12180
Cabanes (Castellón) España
+34 964 34 27 40

FROST-TROL, S.A
PLANTA 2
AVDA. DEL CASTELL VELL, 188
12180
Castellón - España
+34 964 34 27 40

FROST-TROL, S.A
MÉXICO
AV. PIRULES, 134 B ESQUINA CON AV.
TEJOCOTES - 54769
Cuautitlán Izcalli - Estado de México
+34 964 34 27 40

FROST-TROL, S.A
FRANCIA
BUREAU B09 RUE LE BOUVIER
92340 - BOURG LA REINE
(PARIS) FRANCE

FROST-TROL, S.A
DUBAI
GOLDCREST EXECUTIVE
JUMERIAH LAKES TOWERS
(DUBAI) EMIRATOS ÁRABES
UNIDOS

