



RETAIL EQUIPMENT

# SPECIALIZED COUNTERS FOR SALAD SALES

2021

[vik-hitline.com](http://vik-hitline.com)



INTERNATIONAL  
HOSPITALITY EXHIBITION

# HOW HITLINE WORKS

closed production cycle

You can select equipment for any type of product. The company offers more than 3000 pieces of refrigeration designer, for stores of any format.

You can order an individual design for your store.

# TODAY

# 2021



Successfully operating on the market for over 25 years



More than 800 employees



Export to 45 countries



More than 24,000 sq. m of the working area



More than 3000 names for the produced equipment



More than 50000 projects equipped with our products

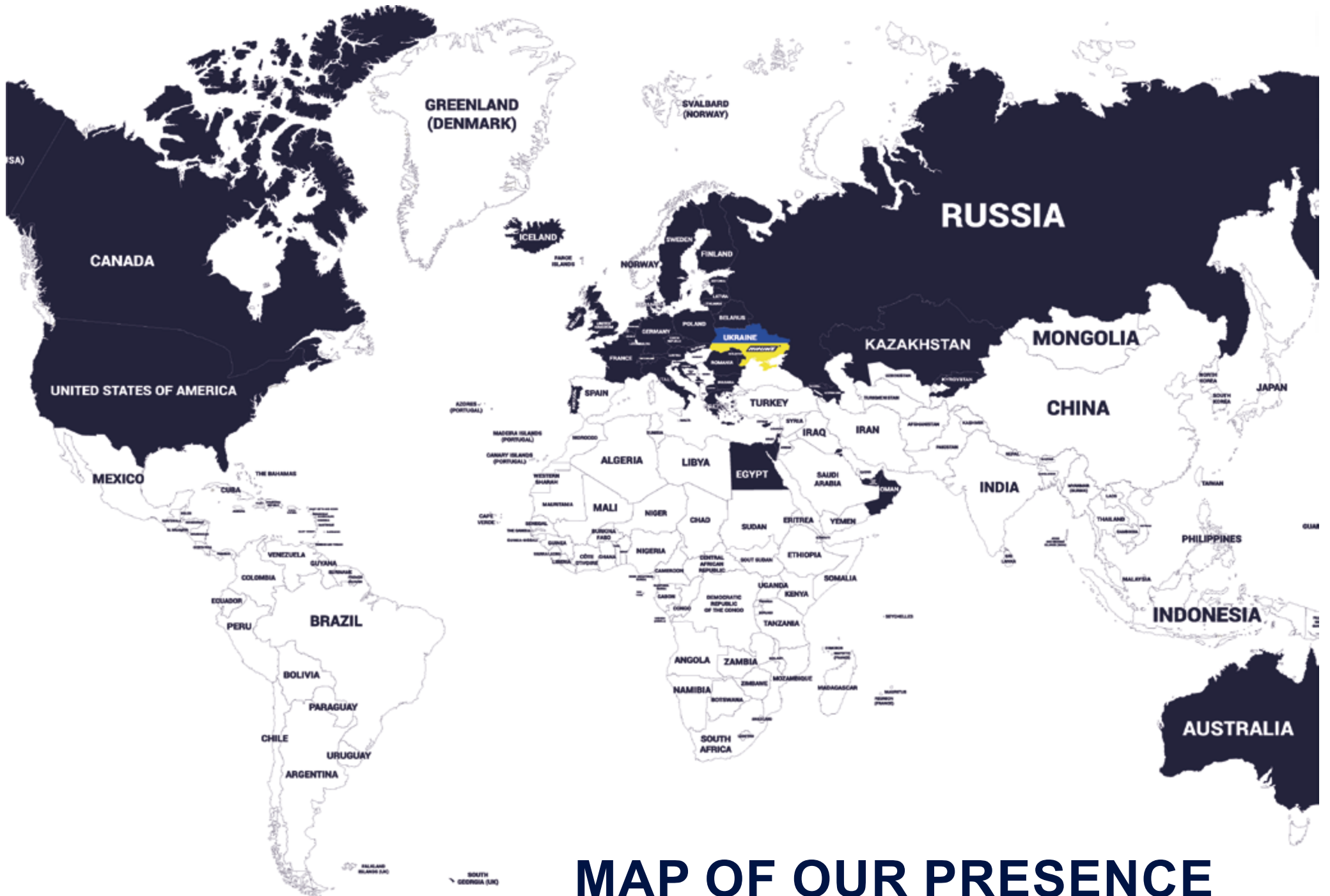
since

1997

WE ARE  
DEVELOPING

Prima  
Power





**MAP OF OUR PRESENCE**

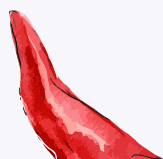


# CONTENTS

## SALADS

MISSOURI MC 120 SALADS OS 120.....	12
MISSOURI MC 120 SALADS PP/L 120.....	13
VIRGINIA AH SALADS R A.....	14
MISSOURI MC 100 SALADS L M/A.....	15

# SALADS











# MISSOURI MC 120 SALADS OS 120

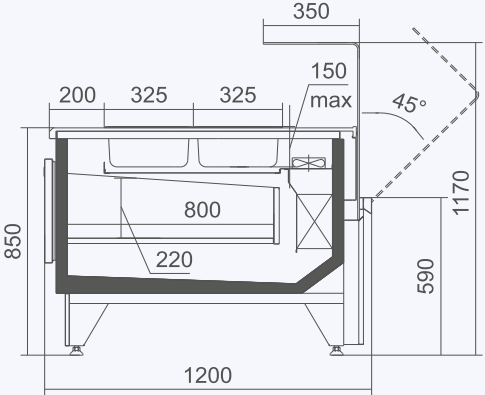


Length without sidewalls: 937, 1250, 1500, 1875, 2500

Temperature class: M2



- Pushing front glass
- Additional refrigerated box



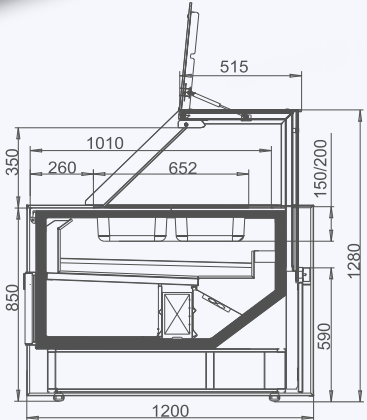
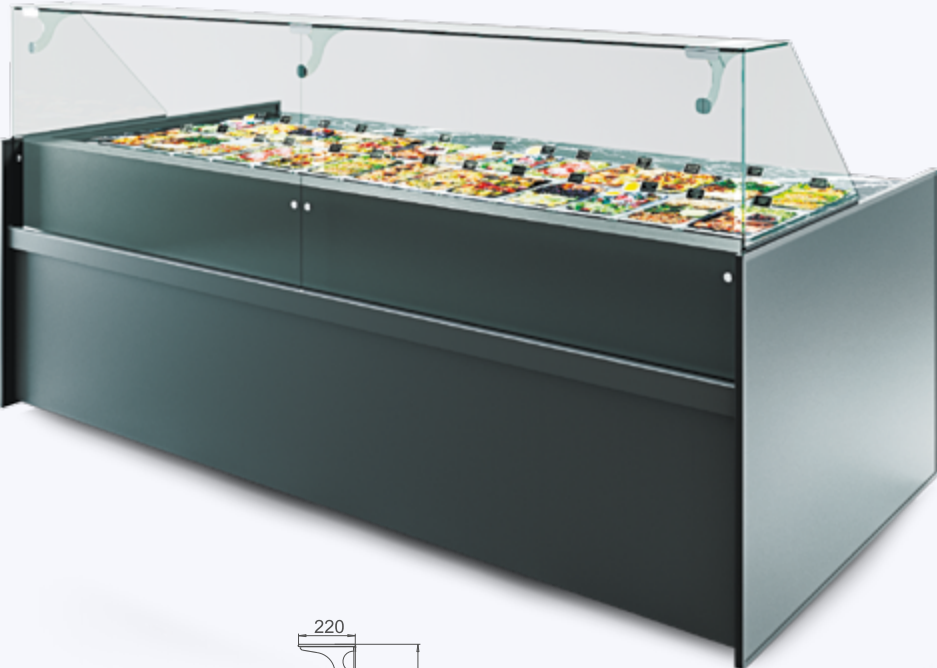
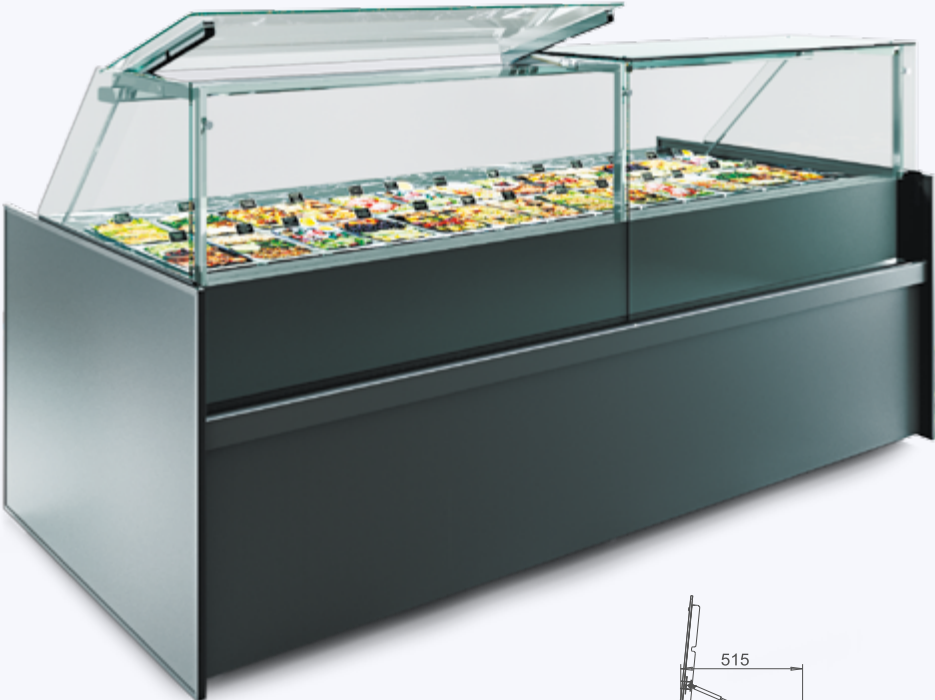
Missouri MC 120 salads OS 120-DBM

# MISSOURI MC 120 SALADS PP/L 120

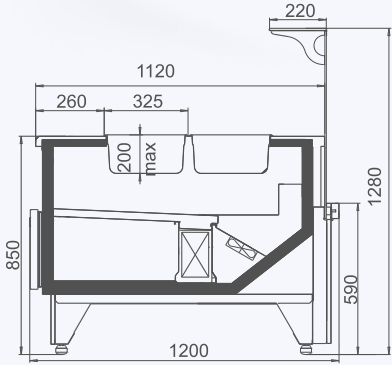
- Uplift and holding of the shelf with the help of gas-lift system
- Stainless steel working area
- Additional refrigerated box

Length without sidewalls: 937, 1250, 1500, 1875, 2500

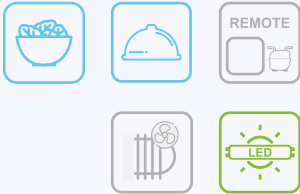
Temperature class: M2



Missouri MC 120 salads PP 130-DBM



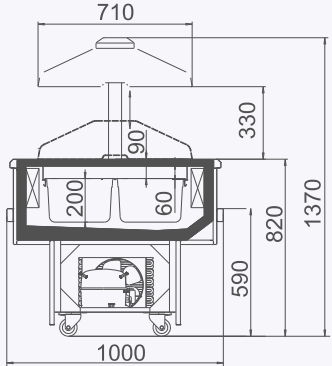
Missouri MC 120 salads L 130-DBM



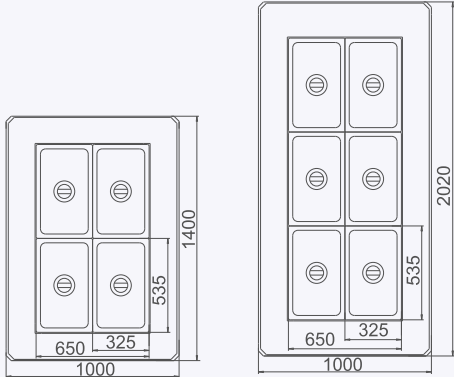
# VIRGINIA AH SALADS R A

Length without sidewalls: 1400, 2200

Temperature class: M2



Virginia AH 100 salads self R 137-SLA



Top view



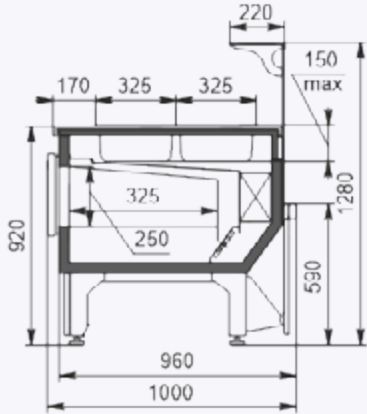
# MISSOURI MC 100 SALADS L M/A

Length without sidewalls: 937, 1250, 1500,  
1875, 2500

Temperature class: M2



- Stainless steel working area
- Additional refrigerated box

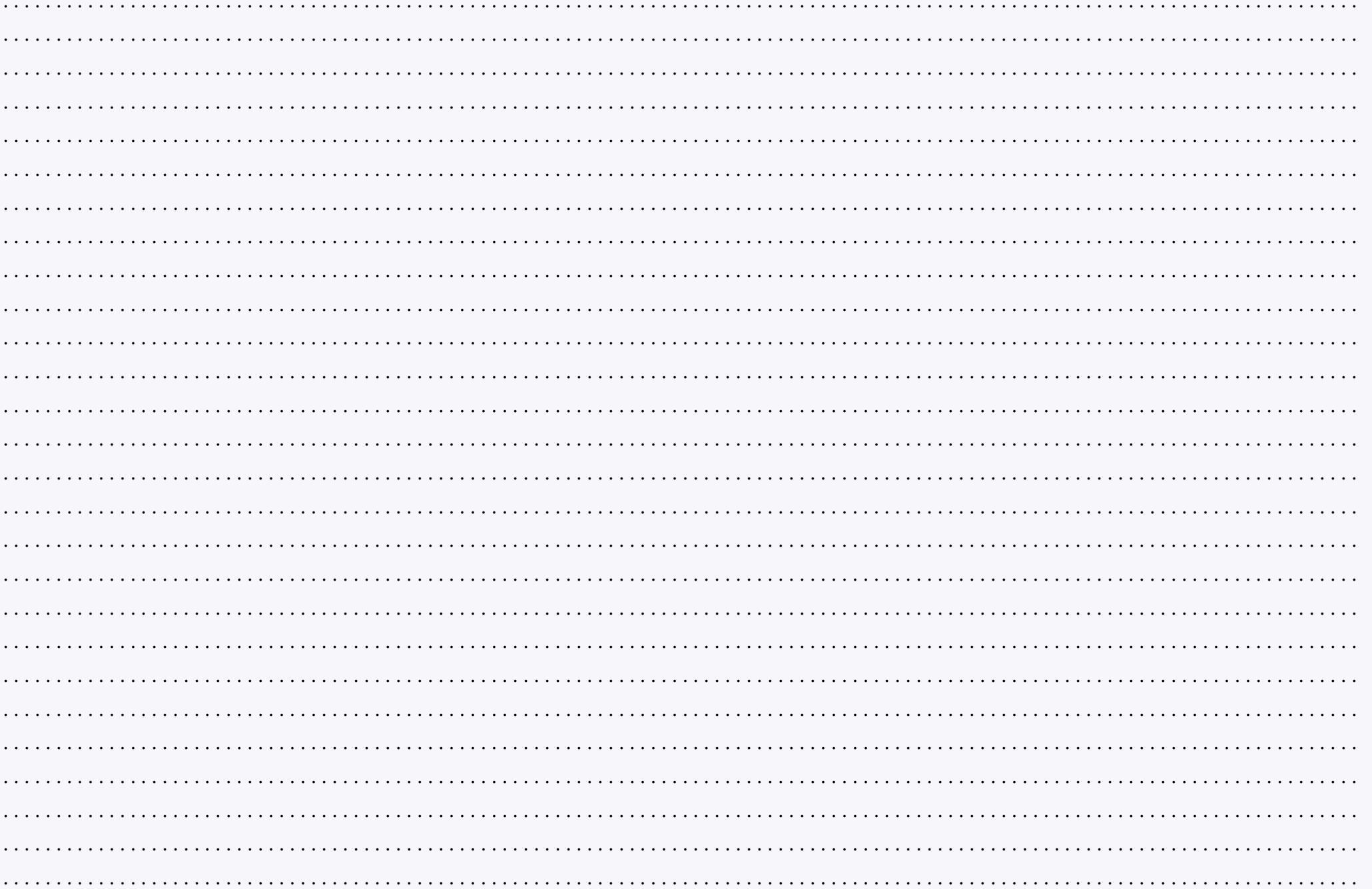


Missouri MC 100 salads L 130-DBM  
Missouri MC 100 salads L 130-DBA









# TECHNICAL SPECIFICATION



Gastronomy



Salads



Remote



Plug-in



Dynamic cooling



LED lighting

# CONTACTS



MAIN OFFICE:  
MOROKHOVETSKA EMB., 2,  
61001 KHARKIV, UKRAINE



+38(044)33-77-500  
+38(067)511-15-11  
+38(050)325-15-11



[vik-hitline.com](http://vik-hitline.com)



[@vikhitline](https://www.instagram.com/vikhitline)



vik-hitline.com



ISO 9001:2015