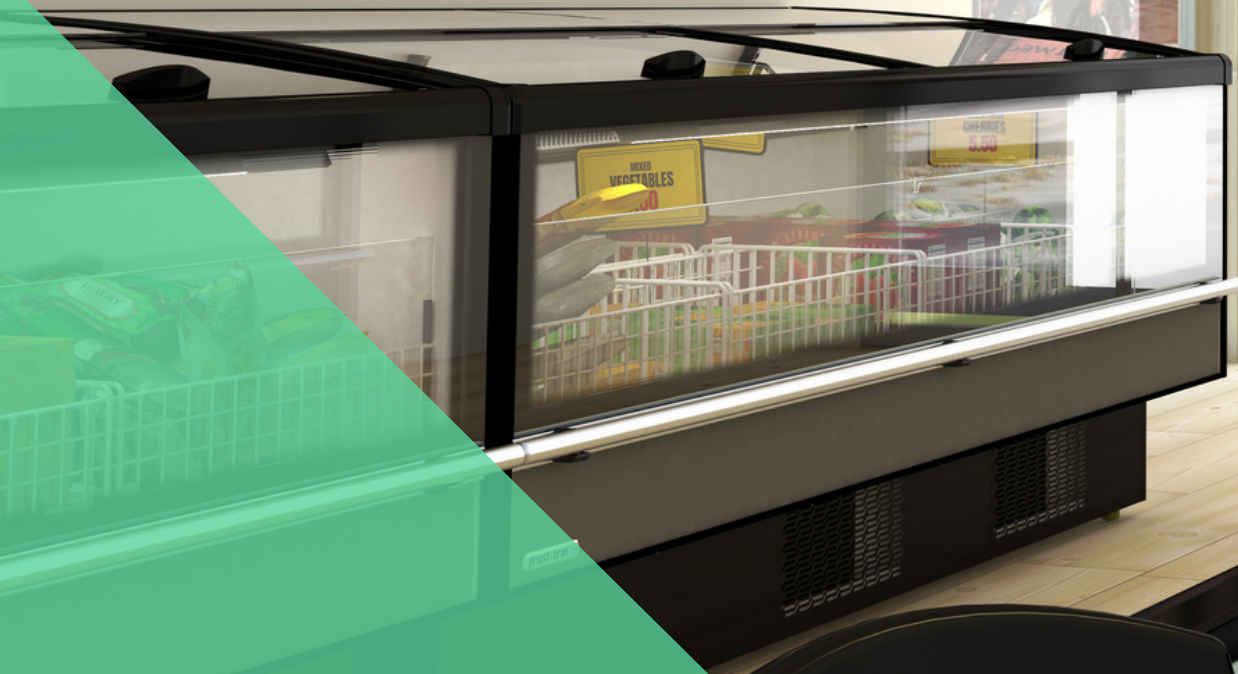


frost-trol
SOLID LINES



PLUG-IN

LOMOND

Isla



LOMOND

PIOP|00|86|30|FD|PD|17

Highlights



PLUG-IN

One-piece front emissive low glass that maximizes the display of exposed products.

Optimized LED lighting flow

Plug-in counterwall island with very high visibility static refrigeration system. Specially designed for the sale of ice cream

Push doors integrated in the design

Drainage design integrated into the tank, allowing for a much larger open-plan space

Standard Equipment

Refrigerant R744

External structure painted in epoxy

Static cooling

Integrated 4000K LED simple top lighting

Electronic Control

Condensate evaporation tray.

Pre-lacquered tank

Electric defrost

Panoramic gable ends in end unit

Advertising por product placement

Black thermopans

Rear stopper

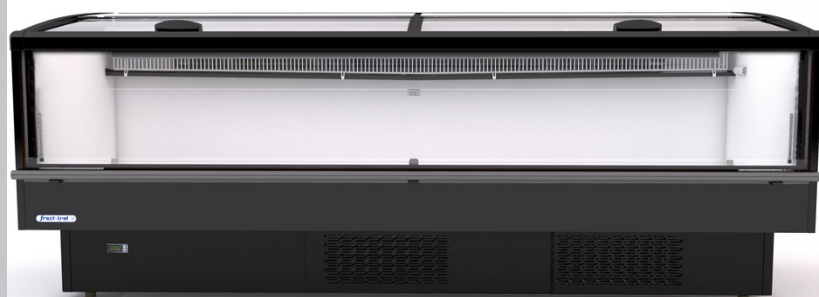
Carton packaging

Push black doors integrated



Options and Accesories

- Integrated front and rear LED lighting - 4000K
- Inox bumper
- Grey thermopans
- Integrated Push doors
- Interior in stainless steel Aisi-304
- Kit ensamble espalda con espalda
- Back to back assembly kit
- Assembly kit counterwall
- Wheels kit
- Back cover
- Grid kit
- Transverse divider
- Treated wood packaging
- Treated wood packaging plus



WIDE VISIBILITY OF THE PRODUCTS

INTEGRATED LED LIGHTING



RAL 9001

RAL 9010

RAL 7305

RAL 9006

RAL 1018

RAL 1023

RAL 5000

RAL 5012

RAL 6018

RAL 6027

RAL 3027

RAL 3002

RAL 9005

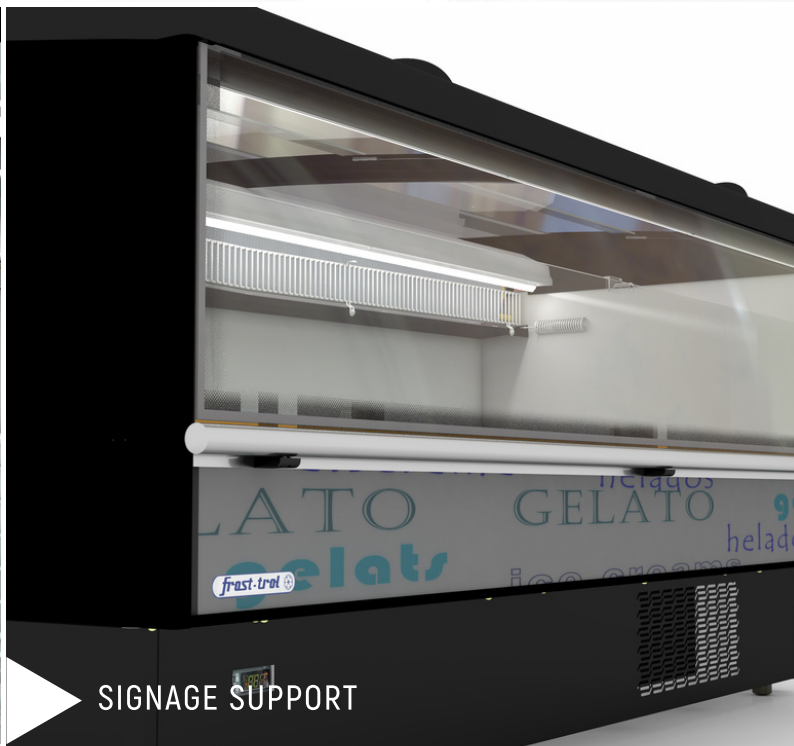
RAL 9011



▶ INTEGRATED PUSH DOORS



OPTIONAL BASKETS AND DIVIDERS

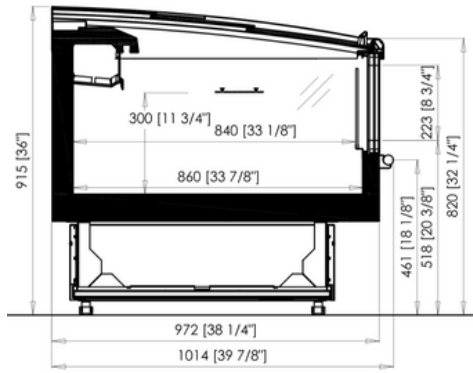


▶ SIGNAGE SUPPORT

LOMOND

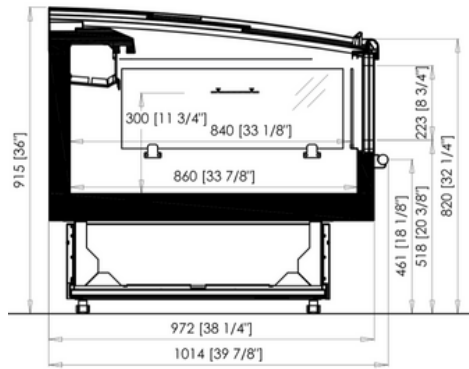
PIOC008630FDPD17

Available modulations
1995 | 2620 | 3870



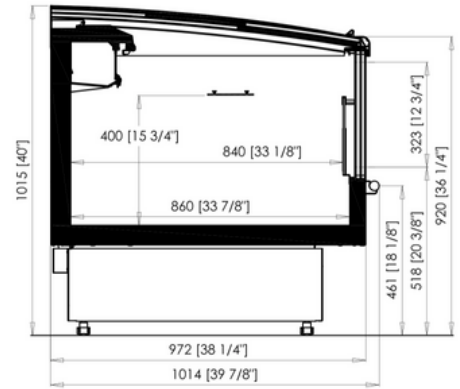
PIOC228630FDPD17

Available modulations
2145



PIOC008640FDPD17

Available modulations
1060 | 2070 | 2620 | 3870



frost-trol



www.frost-trol.com



FROST-TROL, S.A
PLANTA 1
CV 159 KM 2 CP. 12180
Cabanes (Castellón) España
+34 964 34 27 40

FROST-TROL, S.A
PLANTA 2
AVDA. DEL CASTELL VELL, 188
12180
Castellón - España
+34 964 34 27 40

FROST-TROL, S.A
MÉXICO
AV. PIRULES, 134 B ESQUINA CON AV.
TEJOCOTES - 54769
Cuautitlán Izcalli - Estado de México
+34 964 34 27 40

FROST-TROL, S.A
FRANCIA
BUREAU B09 RUE LE BOUVIER
92340 - BOURG LA REINE
(PARIS) FRANCE

FROST-TROL, S.A
DUBAI
GOLDCREST EXECUTIVE
JUMERIAH LAKES TOWERS
(DUBAI) EMIRATOS ÁRABES
UNIDOS

