

frost-trol
SOLID LINES



PLUG-IN

GARDA

Isla



GARDA

PIOC|25|66|59|SD|0017

Highlights

Cabinet designed to operate with natural refrigerant R290 in compliance with F-Gas regulations.

PVC bumper included in the cabinet design.

Sliding doors included in the structural design of this island.

Possibility of including grid dividers inside to compartmentalize the merchandise.

Opaque freezer cabinet with large interior capacity for the display and sale of frozen products.



PLUG-IN

Standard equipment

R290 refrigerant

Static cooling

Electronic control

Condensate evaporation tray

Sliding doors

Grids fund

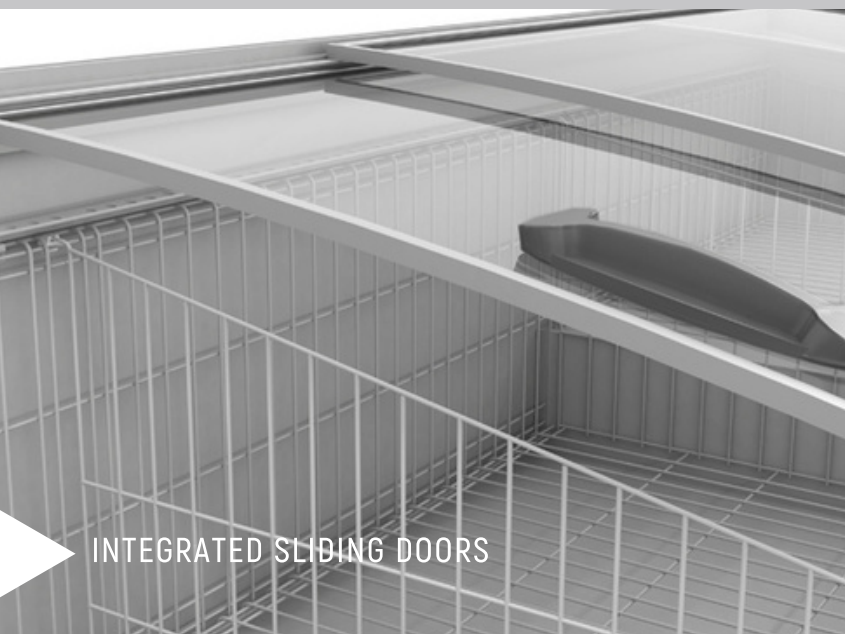
Wooden packaging



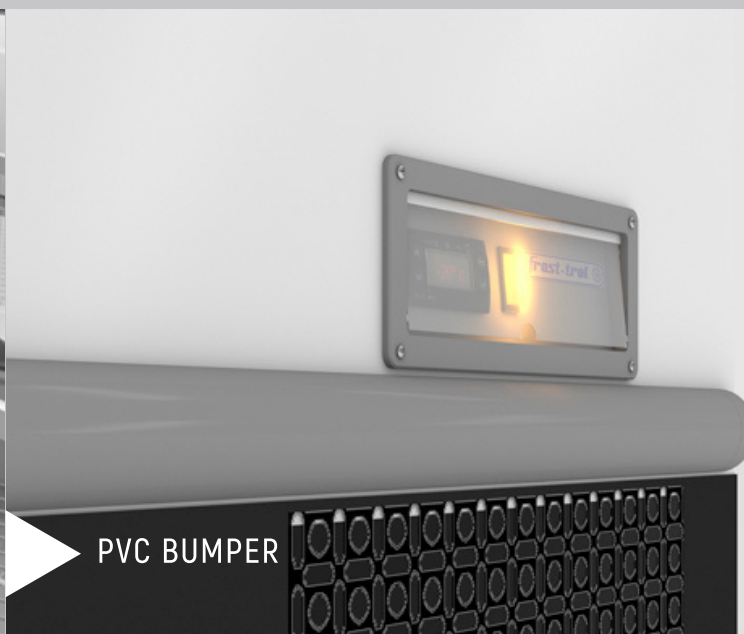
USE OF R290 NATURAL REFRIGERANT

Options and Accessories

- Back to back assembly kit
- Additional bottom grill
- Transversal rod separators
- Electronic header panel



INTEGRATED SLIDING DOORS

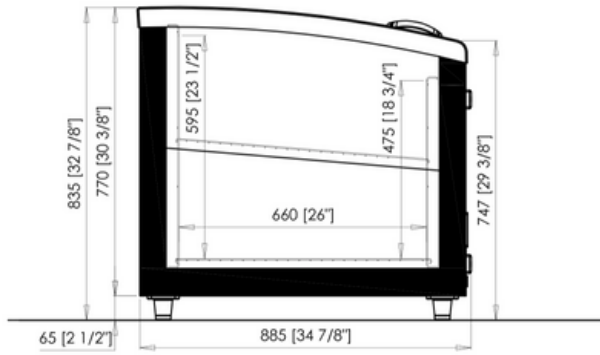


PVC BUMPER

GARDA

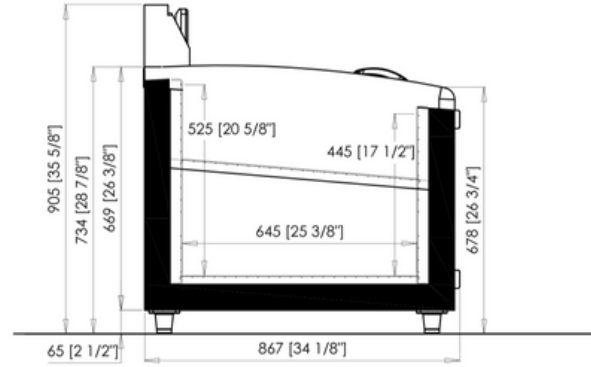
PIOC006659SD0017

Available modulations
1700 | 2200 | 2500



PIOC196452SD0017

Available modulations
1940



frost-trol



www.frost-trol.com



FROST-TROL, S.A.
PLANTA 1
CV 159 KM 2 CP. 12180
Cabanes (Castellón) España
+34 964 34 27 40

FROST-TROL, S.A.
PLANTA 2
AVDA. DEL CASTELL VELL, 188
12180
Castellón - España
+34 964 34 27 40

FROST-TROL, S.A.
MÉXICO
AV. PIRULES, 134 B ESQUINA CON AV.
TEJOCOTES - 54769
Cuautitlán Izcalli - Estado de México
+34 964 34 27 40

FROST-TROL, S.A.
FRANCIA
BUREAU B09 RUE LE BOUVIER
92340 - BOURG LA REINE
(PARIS) FRANCE

FROST-TROL, S.A.
DUBAI
GOLDCREST EXECUTIVE
JUMERIAH LAKES TOWERS
(DUBAI) EMIRATOS ÁRABES
UNIDOS

